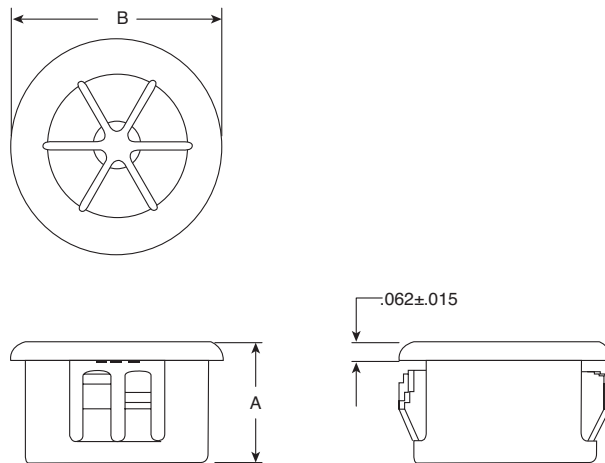


DIMENSIONS: in



Nylon "ALL-FIT" Adjustable Bushings are designed to protect wire, cable, tubing, or irregular shaped items from sharp, unfinished edges. The specially designed, resilient multiple supports absorb shock and vibration and adjust to accept various diameters and shapes. The All-Fit Bushing is equipped with multiple locks to positively snap in panel thicknesses ranging from 1/32" to 1/8". Molded in heat stabilized nylon UL94V2 black.

MOUSER STOCK NO.	Description	Chassis Hole Dia.	Maximum Thickness	Thickness A	Head Dia. B	Max. I.D.
561-AF625	5/8 All-Fit Bushing	0.625	0.125	0.406 (±.015)	0.718 (±.015)	0.437
561-AF750	3/4 All-Fit Bushing	0.750	0.125	0.390 (±.015)	0.859 (±.015)	0.560
561-AF875	7/8 All-Fit Bushing	0.875	0.125	0.453 (±.015)	0.937 (±.015)	0.562
561-AF1000	1" All-Fit Bushing	1.000	0.125	0.453 (±.015)	1.062 (±.015)	0.750
561-AF1093	1 3/32 All-Fit Bushing	1.093	0.125	0.453 (±.015)	1.156 (±.015)	0.812
RoHS Compliant						